

OWNER'S MANUAL  
(SPLIT TYPE)

# AIR CONDITIONER

Thank you very much for purchasing our air conditioner.  
Please read this owner's manual carefully before using your air conditioner.

# CONTENTS

<b>FEATURES</b> .....	1
<b>PARTS NAMES AND FUNCTIONS</b> .....	2
<b>AIR CONDITIONER OPERATION AND PERFORMANCE</b> .....	2
AIR CONDITIONER OPERATION CONDITIONS.....	2
HANDLING THE REMOTE CONTROLLER.....	3
TEMPORARY OPERATION.....	3
ADJUSTING AIR FLOW DIRECTION.....	3
<b>ATTENTIONS</b> .....	4
CHECK-UP BEFORE OPERATION.....	4
OPTIMAL OPERATION.....	4
SAFEGUARDS.....	4
<b>CARE AND MAINTENANCE</b> .....	5
TROUBLES AND SOLUTIONS.....	5
TROUBLES NOT CONCERNING AIR CONDITIONER.....	6
CLEANING.....	7
MAINTENANCE.....	8
AFTERSALES SERVICE.....	8
<b>INSTALLATION</b> .....	8
HINTS FOR OWNER.....	9
LOCATION.....	9
SOME NOTICES.....	9

## FEATURES:

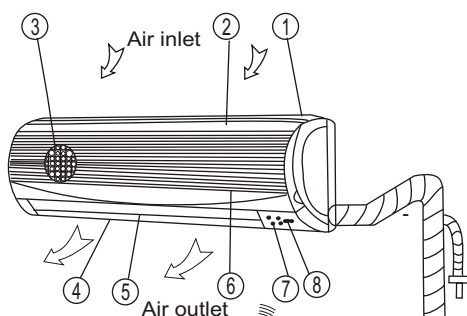
This unit is suitable for hotels ,business buildings, offices and households.

### Main features:

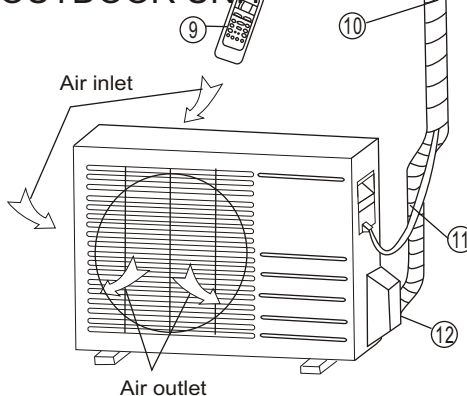
- Through utilization of a multi-folded evaporator,the air inlet area is widened and the heating exchange ability increased correlating into increased energy efficiency.
- Air blowing noise is minimized through the optimization of the airflow design ,a four-folded evaporator and a big diameter Cross Flow Fan.
- Anti-formol filter effectively deodorizes generating a healthier atmosphere.
- Adjusting ambient temperature is delivered evenly and promptly through the famous-brand compressor.
- Removable panels on the indoor unit ensuring convenience in maintaining cleanliness and the units aesthetics.

## PARTS NAMES AND THEIR FUNCT

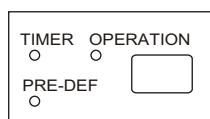
### INDOOR UNIT



### OUTDOOR UNIT



### DISPLAY PANEL



### INDOOR UNIT

- ① Front panel frame
- ② Front panel
- ③ Air filter, Anti-formol filter
- ④ Horizontal air flow grille
- ⑤ Vertical air flow louver
- ⑥ Room temperature sensor
- ⑦ Display lamp
- ⑧ Infrared signal receiver
- ⑨ Remote controller
- ⑩ Drain hose, refrigerant connecting pipe
- ⑪ Stop valve
- ⑫ Connective cable

### DISPLAY PANEL

#### OPERATION lamp:

The indicator lamps flash once per second when connecting power supply, and keep lighting during operation.

#### TIMER lamp:

The lamp will be lit when on/off time has been set.

#### PRE-DEF. Lamp:

The air conditioner will automatically defrost when outdoor unit frosts while heating (cooling/heating type only). And the DEF. lamp will start flashing.

**NOTE**All the pictures in this manual are based on the standard model, So it may be slightly different from the air conditioner you purchased. The actual shape shall prevail.

## AIR CONDITIONER OPERATION AND PERFORMANCE

### AIR CONDITIONER OPERATION CONDITIONS

Temperature	Mode	Cooling operation	Heating operation
Room temperature		17° C or more	30° C or less
Outdoor temperature		18° C ~ 43° C	-7° C ~ 24° C

#### CAUTION:

1. If air conditioner is used outside of the above conditions, safety protection features may come into operation and cause the unit works abnormal.

## HANDLING THE REMOTE CONTROLLER

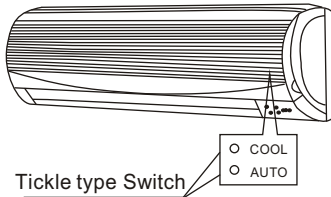
Refer to REMOTE CONTROLLER MANUAL.

NOTES: This model has no ventilation, freshing, watering, humifying functions, so if you push the relative button on the remote controller, nothing will happen.

## TEMPORARY OPERATION

### NORMAL OPERATION

This function is used to operate the unit temporarily in case you misplace the remote controller or its batteries are exhausted.



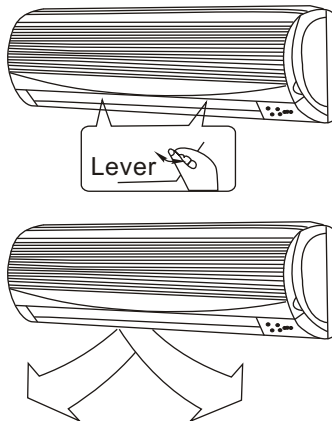
- ① Open the panel and lift the panel up to an angle where it remains fixed. Do not lift the panel any further when it stops with a clicking sound.
- ② Turn the switch to AUTO position and the air conditioner will run under AUTO mode.
- ③ Close the panel firmly to its original position.

### CAUTION:

The "COOL" mode on the control board of indoor unit is used to test only, please don't choose it.

## ADJUSTING AIR FLOW DIRECTION

### ● Adjusting the Horizontal Air Flow



Please move the vertical louver to adjust the air-flow direction as required manually.

When the unit is operating and horizontal louvers are on certain position, take hold of the left or right lever on the horizontal louvers and move them to adjust the air flow direction as required.

### ● Adjusting the Vertical Air Flow

Please use the remote controller to adjust horizontal louvers so as to adjust the vertical air flow direction.

#### CAUTION:

- The starting angle of the horizontal louver should not be too small, or the narrow air outlet will affect cooling or heating.
- Do not move the vertical louver manually, or it may malfunction during operation. If the malfunction happens, please stop operating, unplug for several minutes then plug again and restart.
- Do not operate the air conditioner for long with the airflow direction set downward during the cooling or drying operation. Otherwise, condensation may occur on the surface of the vertical louver and cause dew dripping.
- When the air conditioner restarts the vertical louver might not move for 10 seconds or so.
- At the first time to operate, there may be some noise when horizontal louver is turning, it is under control.

### ATTENTIONS

Please read this Owner's Manual carefully before operation and strictly follow the operation method, or the unit may be seriously damaged and cause injury or property damage.

#### CHECK-UP BEFORE OPERATION

- Check that the ground wiring is not broken off and is connected well.
- Check that the air filter is installed well.
- Clean the air filter at first after a long time rest. Refer to CARE AND MAINTENANCE for detail.
- Be sure that air inlet and air outlet of the indoor and outdoor units are not blocked.

#### OPTIMAL OPERATION

The following should be noticed to ensure an optimal operation. (Refer to corresponding chapter for details)

- Adjusting the airflow direction properly to avoid winding toward your body.
- Adjusting the room temperature properly to get a comfortable situation and to avoid super-cooling and superheating.
- In cooling, close the curtains to avoid direct sunlight.
- To keep cool or warm air in the room, never open doors or windows more often than necessary.
- Set the timer for the desired operating time.
- Never put obstructions near the air outlet or the air inlet. Or it will cause lower efficiency, even a sudden stop.
- A clogged air filter will reduce cooling or heating efficiency, please clean it once two weeks.

### SAFEGUARDS

#### ⚠ CAUTION

- Do not attempt to install this unit yourself. This unit requires installation by qualified persons.
- For proper performance, operate the unit under the usable operating temperature and humidity conditions indicated in this owner's manual. If the unit is operated beyond these conditions, it may cause malfunctions of the unit or dew dripping from the unit.
- Maintain room temperature at comfortable level, especially there is old, infirm person and children.
- Lightning, automobiles nearby and mobile phone operating may cause the unit to malfunction. Please disconnect the unit with the power and then connect the unit with the power again.

**⚠ WARNING**

- Young children should be supervised to ensure that they do not play with the main switch, which must be unavailable to them.
- When it is raining, please shut down the main switch to avoid accidents.
- It is better to shut down the unit if you plan to leave for a long time.
- To prevent accident, turn off the power or disconnect the power supply plug before beginning any cleaning or other routine maintenance.
- Do not use cleaning agent, liquefacient or corrosive cleanser to clean the unit or spray water or other liquid at unit, all these may damage plastic components, even cause electric shock.

**⚠ DANGER**

- Do not insert your hands or stick into outlet of indoor and outdoor units. Otherwise, the high-speed fan may cause serious injury.
- Do not touch the batten during the louver is rotating. Otherwise, it may clamp your fingers or cause damage to the gearing of louver.
- Do not attempt to take down the cover of outdoor unit fan to avoid likely injury to you.
- Do not let kids play the units to avoid likely injury.
- Do not wet indoor unit and remote controller, Otherwise, it may cause short circuit or fire.
- Do not use or restore flammable gas or liquid, (such as fixture, paint, gasoline etc.) near the air conditioner to avoid likely fire.
- If any abnormal symptom (such as exceptional noise, odor, smog, abnormal temperature rise or electric leakage etc.) occur, turn off the power supply immediately. Please contact local dealer.
- Shut down the main switch and wait for 3 seconds before you remove any parts from the unit.

## CARE AND MAINTENANCE

### TROUBLES AND SOLUTIONS

If any the following abnormal conditions occur stop the air conditioner, turn off the power supply immediately, and contact our dealer.	
<b>TROUBLES</b>	Indicator lamps flash rapidly (5 times per second), after your disconnecting and connecting the unit again the situation is the same.
	Fuse or circuit breaker work frequently.
	Foreign matter or water has fallen into the unit.
	Remote controller is disabled or the switch is out of hand.
	Any other unusual conditioner is observed.

If any of the following conditions occur, check your unit and resolve corresponding problems referring to given remediation. If the trouble can't be settled contact our dealer.

Trouble	Cause	Solutions
Unit does not start	Power failure.	Wait for the comeback of power
	Power switch is open.	Switch on the power
	Fuse of power switch may have blown.	Replace the fuse
	Batteries remote controller are exhausted.	Replace the batteries
	The time is not start-up time you have set.	Wait or cancel the time set.
Air flowing normally with low cooling (heating)effect	Temperature is not set correctly.	Set the temperature properly. Please refer to "operation instructions".
	Air filter is blocked with dust or dirtiness.	Clean the air filter.
	Inlet/outlet of indoor/outdoor units are blocked.	Clear all blockages.
	Door or window is open.	Close door and window.
Air flowing normally without cooling (heating) effect	Inlet/outlet of indoor/outdoor units are blocked.	Clear the blockage, then restart your operation.
	Be in 3 minutes protection of compressor	Wait
	Temperature is not set correctly.	Set the temperature properly.

**NOTE:** Do not replace electric wire or repair the air conditioner by yourself to avoid possible danger.

### **TROUBLES NOT CONCERNING AIR CONDITIONER**

If any of the following conditions occur your air conditioner is in order.

#### **1. Common protection for compressor**

- Protection for compressor---you can't start compressor within 3 minutes.  
Warm air control (cooling and heating type)  
Under the HEAT mode, the indoor fan speed is automatically reduced or stopped to prevent a cold draft if the set temperature has not been reached under the following three situations:
  - ① Just start heating operation
  - ② Defrosting
  - ③ Heating in a low temperature
 Defrosting (cooling and heating type)
- When running under low temperature and high humidity, outdoor heat exchanger may be frosted. And this will reduce the heating capacity of the air conditioner. In this case, the air conditioner stop heating operation, then automatically turn to defrosting operation. After finishing the defrosting, it will restart heating operation.
  - ① The fans in both the indoor and outdoor units will stop running during defrosting operation.
  - ② The time of defrosting is different according to the outdoor temperature and frost degree. (For approximately 4~10 minutes).
  - ③ During defrosting, white smog may be come out from outdoor unit. This is caused by quickly frosted and it's a normal case.



## 2. White smog discharged from indoor unit

- When running on "cooling" mode at the place with high humidity, white smog may come into being because of high humidity and high difference in temperature.
- When the air conditioner finishes the defrosting, it will automatically turn to heating operation, the water produced during defrosting will change into smog and come out from indoor unit.

## 3. Low noise of air conditioner

- When the compressor is operating or just stopping, there may be some "ss" sound caused by the flowing between indoor and outdoor unit of refrigerant.
- After air conditioner starting or stopping for a short while, there may be some "zz" sound caused by natural expansion or shrinkage of plastic parts because of the temperature change.
- At the first time to operate, there may be some noise caused by the horizontal louver turning.

## 4. Dust blowing from indoor unit

- After being left unused for long time, the dust may blow out from indoor unit if it is operated again.

## 5. Odor from indoor unit

- The indoor unit absorbs odor of room, furniture or cigarette and emanates them during operation.

## 6. "Cooling" and "Heating" mode turned to "Fan" (Cooling only type without)

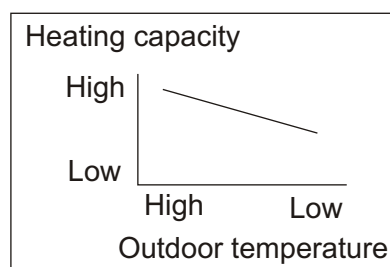
- If the indoor temperature falls to set one, the air conditioner controller will stop compressor from running automatically and convert to "Fan" mode. When the temperature rises or reduces to a certain value, the compressor will restart and the unit will get right

7. When running under cooling mode at the place of indoor humidity (relative humidity > 80%) dew may occur on the surface of indoor unit. Please set the louver at the position with max. Air flow (normal to vertical direction) and the fan speed is "High"

## 8. Heating capacity (cooling and heating type)

In the heating operation, heat is absorbed from outdoor and released into the room. That is so-called heat pump system.

When the outdoor temperature is too low, heat absorbed from outdoor is reduced and will result in reduced heating capacity (see the right picture). There is a big difference in temperature between indoor and outdoor, and this will increase the heating load. In this case, you are recommended to use another heating apparatus in combination with the air conditioner.



## CLEANING

### ⚠ WARNING:

It is necessary to stop the air conditioner and disconnect the power supply plug before cleaning.

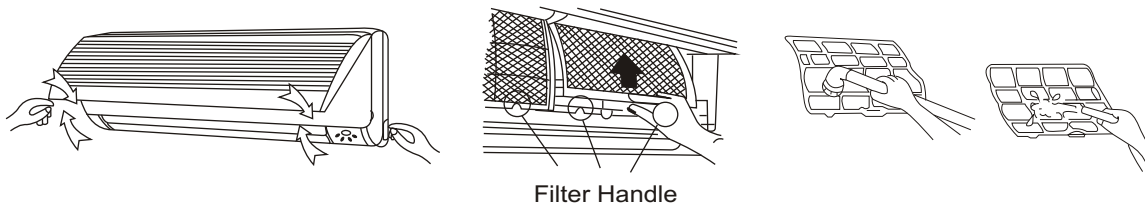
## CLEANING THE INDOOR UNIT

1. Use a dry cloth to wipe the indoor unit and remote controller.
2. A cloth dampened with cold water may be used on the indoor unit if it is very dirty.
3. The indoor panel can be removed and clean with water, then be wiped with dry cloth.

### ⚠ CAUTION:

- Do not use a chemical-treated duster for wiping or leave such material on the unit for long.
- Do not use benzine, thinner, polishing powder, or similar solvents for cleaning. These may cause the plastic surface to crack or deform.

## CLEANING THE AIR FILTER



Filter Handle

A clogged air filter reduce cooling efficiency. Clean it frequently.

1. You can lift the panel up to an angle where it will remain fixed. Do not lift the panel any further when it stops with a clicking sound. Take hold of the middle of the filter and pull it out downward.
2. Use a vacuum cleaner to remove the dust or wash the air filter, and dry it in the shadow, then install the anti-formol filter.
3. Insert the upper portion of air filter confirming to fit its right and left edges on the indoor unit until it is firmly set.

## MAINTENANCE

- After the air conditioner is left unused for long time please check whether the inlet and outlet of indoor/outdoor has been blocked. If it blocked, cleaning it up immediately.
- Before you plan to leave your air conditioner unused for long time, please prepare as follows:
  1. Operate the unit under "FAN" mode for a period of time to dry it.
  2. Shut off power supply, turn off breaker, and take out batteries from remote controller.
  3. Inner components of outdoor unit should be checked and cleaned regularly, contact the local service and dealer.

## AFTERSALES SERVICE

- If your air conditioner operates abnormally please turn off it and shut off power supply. Then contact local dealer for details. See the attached 《Ower's manual》 delivered with air conditioner

## INSTALLATION

The installation must conform to relevant regulations of GB17790-1999 《Installation Regulation for Room Air Conditioner》 and 《Installation Manual》. All installation construction must be committed to professionals and prohibits the owner of air conditioner to install the unit.

## **HINTS FOR OWNER**

- User should provide eligible power supply that is consistent with the one designated on the nameplate. The voltage of power supply must be within 90%~110% of rated value.
- The creepage protector or air switch with a 1.5 times capacity of max. current of unit should be installed in power circuit.
- A special power circuit and effective electrical outlet should be provided. There has a grounding plug in your unit. Do not modify it by yourself.
- Please use stated fuse or breaker as described in 《Installation Manual》
- Wire construction must be conducted by specified electrician and ensure all construction abide by electric codes.
- Ensure the air conditioner is grounded well. That is there must have a stable earth-wire.
- Do not drag power wire! If you have to replace it please commit it to professionals.

## **LOCATION**

Please refer to 《Installation Manual》 .

## **SOME NOTICES**

- Please install this unit hard. Otherwise, abnormal noise and shake may occur because of ill installation.
- Please install this unit at place where the noise of outlet and heat steam can not disturb your neighbors.
- If abnormal noise occurs during operation contact local dealer.
- If you want to move or install the unit at another place contact local dealer.

CS0162  
2200019360